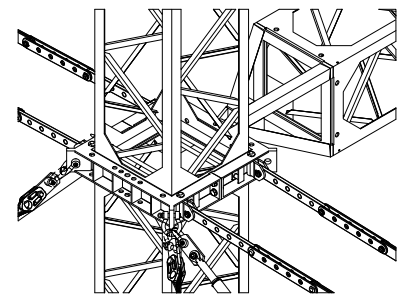
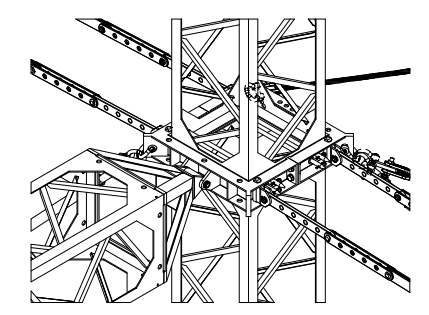


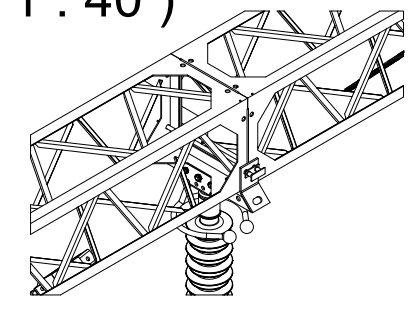
A (1 : 40)



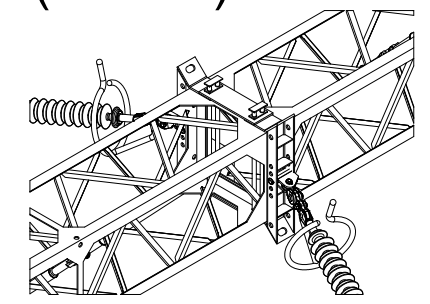
D (1 : 40)


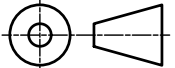


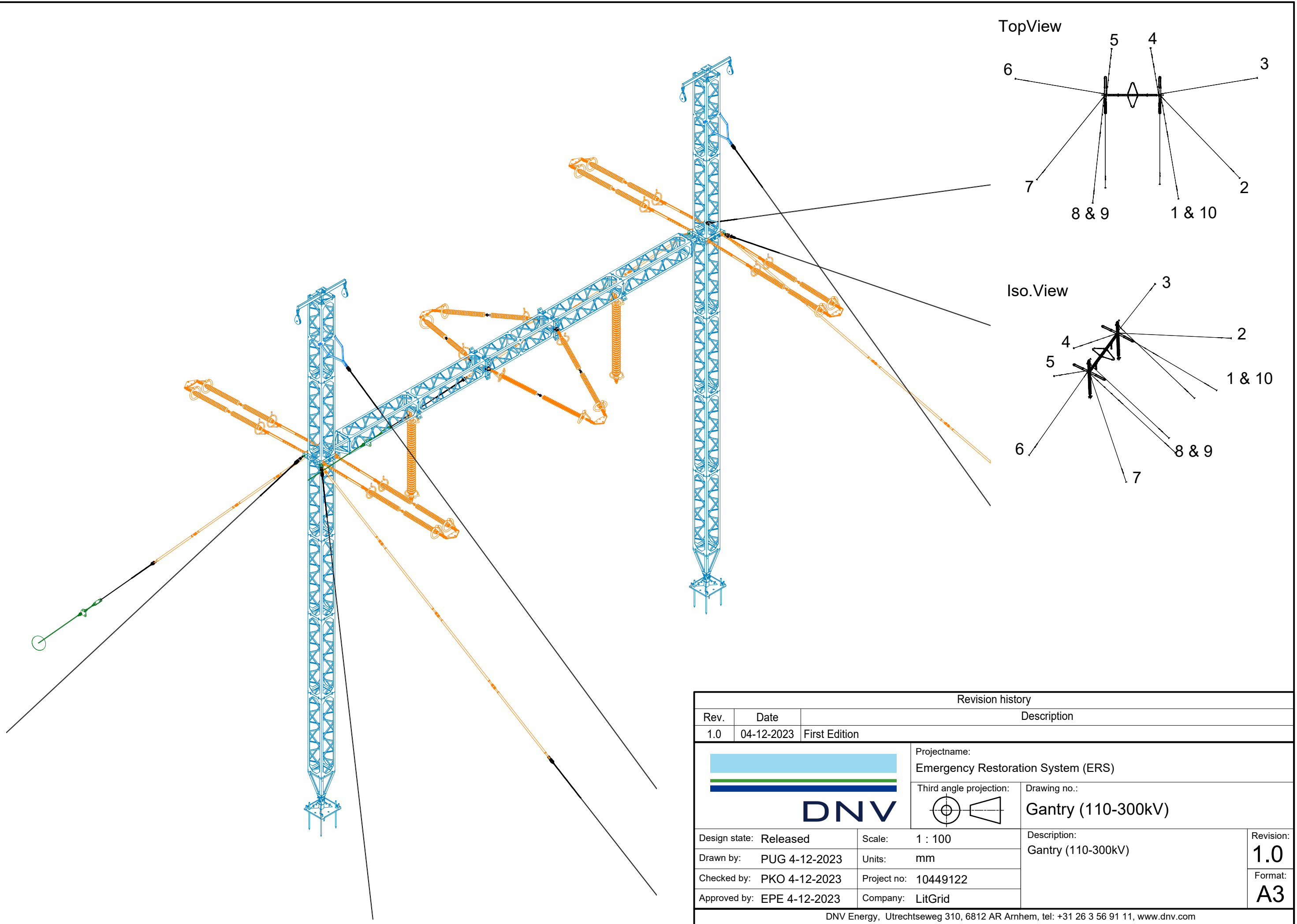
B (1 : 40)



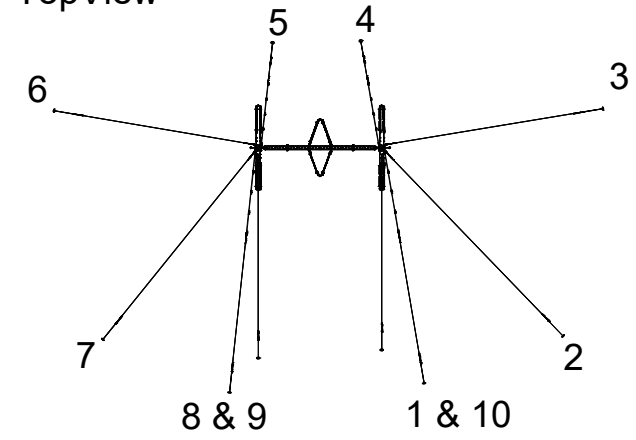
C (1 : 40)



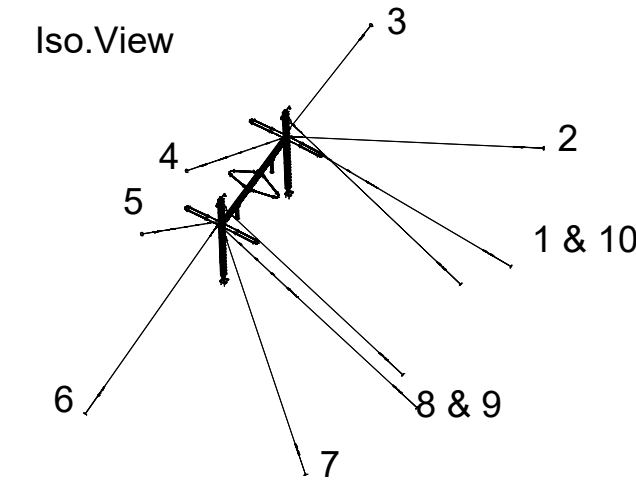
Revision history			
Rev.	Date	Description	
1.0	04-12-2023	First Edition	
		Projectname:	Emergency Restoration System (ERS)
		Third angle projection:	
Design state: Released		Scale: 1 : 100	Drawing no.: Gantry (110-300kV) Description: Gantry (110-300kV)
Drawn by: PUG 4-12-2023		Units: mm	
Checked by: PKO 4-12-2023		Project no: 10449122	
Approved by: EPE 4-12-2023		Company: LitGrid	
			Revision: 1.0 Format: A3
DNV Energy, Utrechtseweg 310, 6812 AR Arnhem, tel: +31 26 3 56 91 11, www.dnv.com			


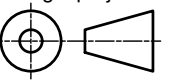


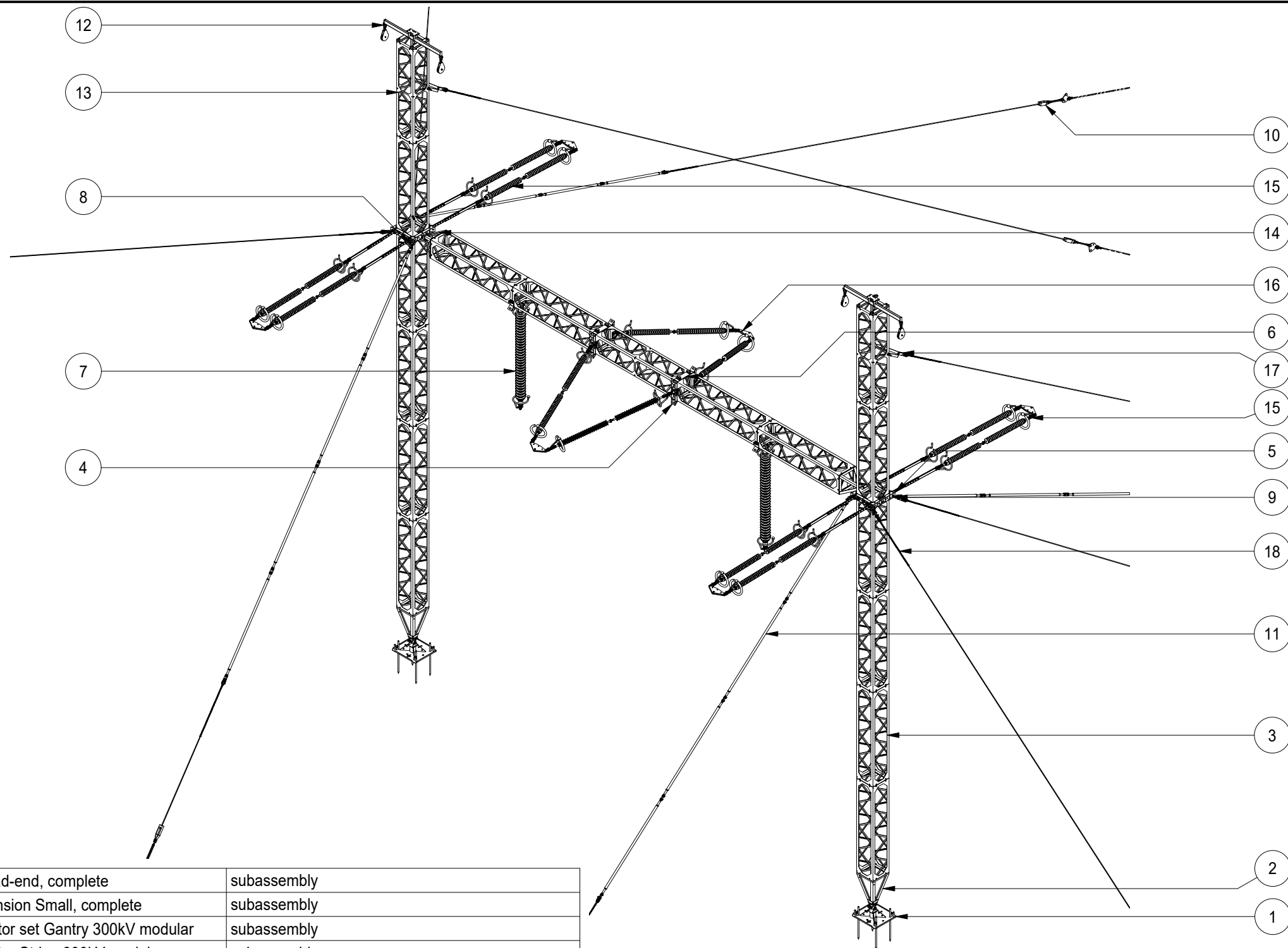
TopView



Iso.View


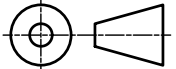


Revision history				
Rev.	Date	Description		
1.0	04-12-2023	First Edition		
		Projectname: Emergency Restoration System (ERS)		
		Third angle projection: 	Drawing no.: Gantry (110-300kV)	
Design state: Released		Scale: 1 : 100	Description: Gantry (110-300kV)	
Drawn by: PUG 4-12-2023		Units: mm		Revision: 1.0
Checked by: PKO 4-12-2023		Project no: 10449122		Format: A3
Approved by: EPE 4-12-2023		Company: LitGrid		
DNV Energy, Utrechtseweg 310, 6812 AR Arnhem, tel: +31 26 3 56 91 11, www.dnv.com				



18	GY-7C	10	Guy Wire Big Grip Dead-end, complete	subassembly
17	ST-45C	2	Tension insulator extension Small, complete	subassembly
16	IS-30C	2	Double Tension Insulator set Gantry 300kV modular	subassembly
15	IS-12C	4	Double Tension Insulator String 300kV modular	subassembly
14	ST-36C	2	Gantry connection prism, complete	subassembly
13	ST-47C	3	Standard section with middle attachment, complete	subassembly
12	ST-4C	2	Tower top, complete	subassembly
11	IS-GS4	4	Guy strain insulator quad, complete	subassembly
10	GY-1C	10	Guy wire anchor connection, complete (excl. anchor)	subassembly
9	HO-26	2	Bow shackle 9.5t	
8	HO-04	7	Bow shackle 4.75t	
7	IS-32	2	Post Insulator set for Gantry (380kV)	subassembly
6	ST-08	4	Attachment frame plate	
5	ST-8C	2	Attachment frame for Gantry, complete	subassembly
4	ST-5C	6	Attachment frame, complete	subassembly
3	ST-2C	14	Standard section, complete	subassembly
2	ST-1C	2	Bottom section, complete	subassembly
1	FD-2C	2	Foundation tower, complete	subassembly
Item	Drawingnr	Qty	Description	remark

Revision history		
Rev.	Date	Description
1.0	04-12-2023	First Edition

		Projectname: Emergency Restoration System (ERS)	
		Third angle projection: 	Drawing no.: Gantry (110-300kV)
Design state: Released	Scale: 1 : 120	Description: Gantry (110-300kV)	Revision: 1.0
Drawn by: PUG 4-12-2023	Units: mm		
Checked by: PKO 4-12-2023	Project no: 10449122		
Approved by: EPE 4-12-2023	Company: LitGrid		Format: A3